

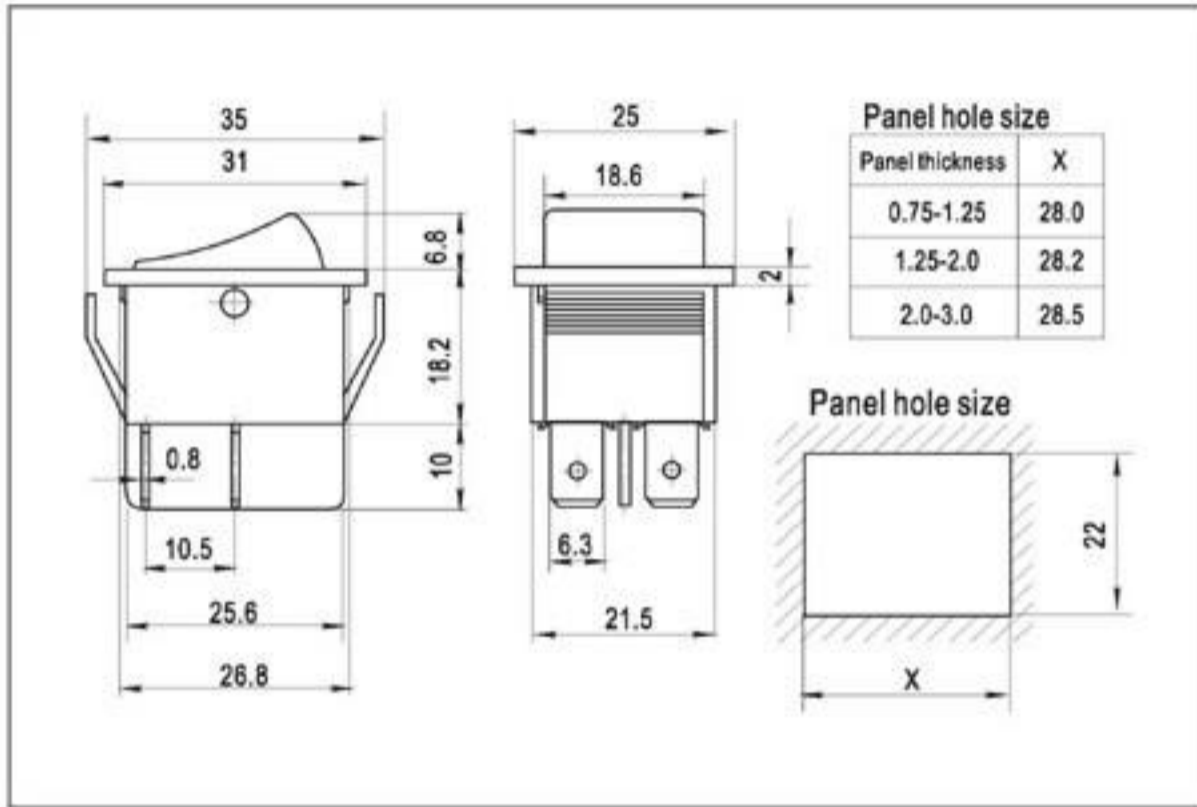
# RLEIL ROCKER SWITCH

## Specification:

- 16 (4) A 250VAC T85
- 16 (4) A 250VAC T125/55 1E4
- 16A 125V/8A 250VAC



(H) Rating: 16 (8) A 250VAC T85/55 1E4



### EXPLANATION MODEL NUMBER

**RL2-1 - 21/N - C - 2 - RE/BK - P1... (2)**

